

## Packaging Process

# DRS-110/120/130 Carrocel For Cork Stoppers Packaging



Semi automatic system for cork stoppers packaging.



### Source

Power Supply  
415/240V (3Ph+N+T) 50Hz



### Power

Installed Power 0.18 kW



### Compressed Air

Compressed Air Supply  
5 to 7 bar



### Noise

< 70 dB

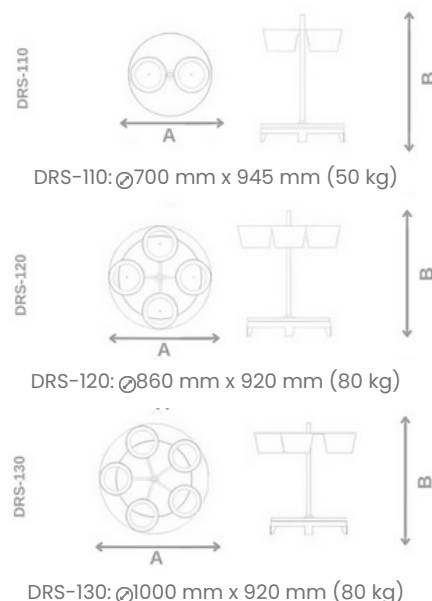


### Cadence

Nominal Cadence  
12 bags/hour  
(it depends on the operator  
and operating mode)

## General Features

- ✓ Full stainless steel system;
- ✓ Plastic bags are supported by actuators;
- ✓ Customer can define the number of plastic bags per carrocel.



[www.azevedosindustria.com](http://www.azevedosindustria.com)  
Lourosa, Portugal

+351 22 747 15 70 (Call cost for national fixed network) • [geral@azevedosindustria.com](mailto:geral@azevedosindustria.com)

