

## Marking Process

# MT/C-2000 Ink-on-Body Marker



Printing cork stoppers bodies by ink. This is an offset printing machine.



### Source

Power Supply  
415/240V (3PH+N+T) 50 Hz



### Power

Installed Power 1.5 kW



### Compressed Air

Compressed Air Supply  
5 to 7 bar



### Noise

< 70 dB



### Cadence

Nominal Cadence  
4 000 to 12 000 corks/hour  
(24x38 mm)



### Diameter

Admissible cork diameter:  
21mm; 31mm (min; max)

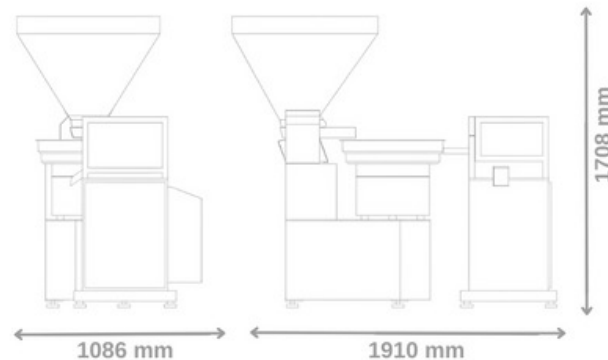


### Length

Admissible cork length:  
27mm; 52mm (min; max)

## General Features

- ✓ Feeding system can be defined by the customer;
- ✓ Possibility to program a number of corks to be printed. **Eg.:** Batch dimension.



### Dimensions

H 1708 mm x D 1086 mm x W 1910 mm

### Weight

340 kg



[www.azevedosindustria.com](http://www.azevedosindustria.com)

Lourosa, Portugal

+351 22 747 15 70 (Call cost for national fixed network) ▪ [geral@azevedosindustria.com](mailto:geral@azevedosindustria.com)

