

Finishing Process

TCR-100 Tops Rectifying & Chamfering Equipment



It rectifies the tops of the cork stoppers (length correction) and executes the chamfer. All-in-one machine concept.



Source

Power Supply
415/240V (3Ph+N+T) 50 Hz



Power

Installed Power 6.0 kW



Compressed Air

Compressed Air Supply
5 to 7 bar



Noise

< 70 dB



Cadence

Nominal Cadence
12 000 corks/hour
(champagne corks)



Diameter

Admissible cork diameter:
23mm; 31mm (min; max)

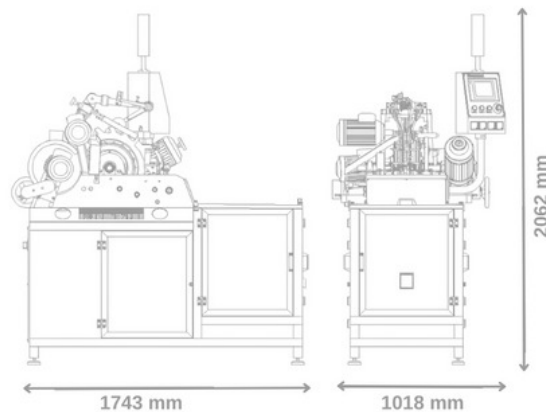


Length

Admissible cork length:
33mm; 54mm (min;max)

General Features

- ✓ Machine controlled and monitored by the HMI;
- ✓ 3 operation modes: tops/ chamfering; only chamfering or only tops;
- ✓ Possibility to apply corks cutting subsystems;
- ✓ Feeding systems to be defined by the customer.



Dimensions

H 2062 mm x D 1743 mm x W 1018 mm

Weight

610 kg



www.azevedosindustria.com

Lourosa, Portugal

+351 22 747 15 70 (Call cost for national fixed network) ▪ geral@azevedosindustria.com

