

Finishing Process

MFEC-2000 Cork Spheres Drilling Machine



Equipment that fully automatically drills the cork spheres, using a special tool.



Source

Power Supply
415/240V (3Ph+N+T) 50 Hz



Power

Installed Power 3.0 kW



Compressed Air

Compressed Air Supply
5 to 7 bar



Noise

< 70 dB

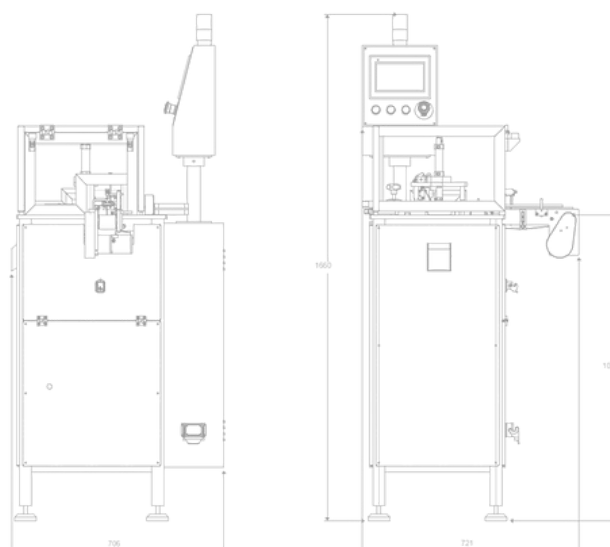


Cadence

Nominal Cadence
1 200 corks/hour

General Features

- ✓ Special 6 000 rpm engines;
- ✓ Special drilling tool;
- ✓ Fed by Hopper + Vibrator + Dispenser or Elevator;
- ✓ Machine controlled and monitored by HMI.



Dimensions

H 1660 mm x D 706 mm x W 721 mm



www.azevedosindustria.com
Lourosa, Portugal

+351 22 747 15 70 (Call cost for national fixed network) ▪ geral@azevedosindustria.com

