

Finishing Process

MBH-150 High Speed Machine For "Boleado" Operation



Machine that rectifies one top of the cork giving a round shape "boleado". It executes the "boleado" simultaneous on two corks.



Source

Power Supply
415/240V (3Ph+N+T) 50 Hz



Power

Installed Power 6.0 kW



Compressed Air

Compressed Air Supply
5 to 7 bar



Noise

< 70 dB



Cadence

Nominal Cadence
6 000 corks/hour



Diameter

Admissible cork diameter:
12mm; 28mm (min; max)

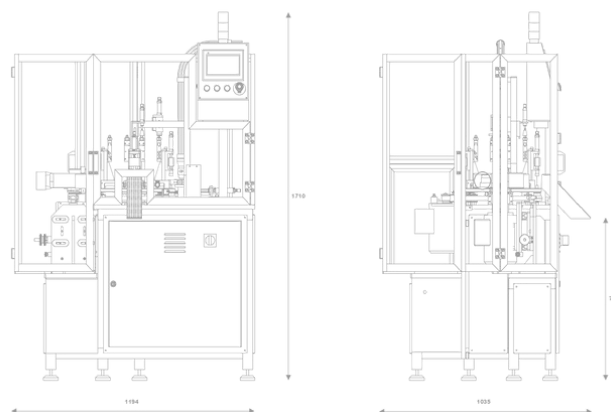


Length

Admissible cork length:
15mm; 45mm (min; max)

General Features

- ✓ Usage of servomotors technology;
- ✓ Feeding system fully configurable by the customer;
- ✓ Machine fully controlled and monitored via HMI.



Dimensions

H 1710 mm x D 1035 mm x W 1194 mm



www.azevedosindustria.com

Lourosa, Portugal

+351 22 747 15 70 (Call cost for national fixed network) ▪ geral@azevedosindustria.com

