

Treatment Process

BTR-110 Small Cork Treatment Drum



Small Cork Treatment Drum for 2 500 corks (45 x 24 mm).



Source

Power Supply
415/240V (3Ph+N+T) 50Hz



Power

Installed Power 4.0 kW



Compressed Air

Compressed Air Supply
5 to 7 bar



Noise

< 70 dB

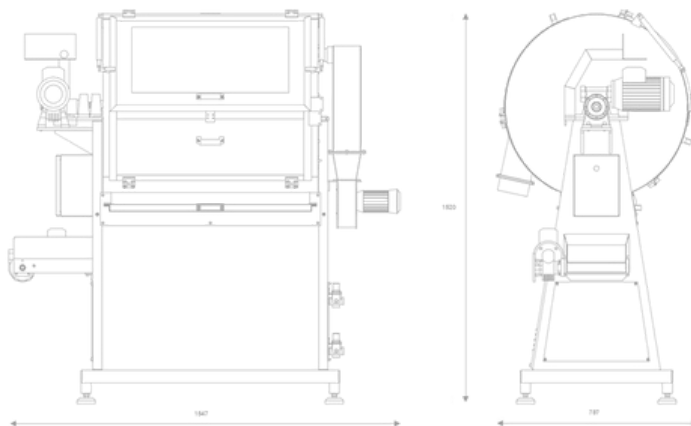


Capacity

Maximum Capacity:
2 500 corks
(for 45x24 mm)

General Features:

- ✓ 3 operations: dedusting, heating and insufflation;
- ✓ Possibility to integrate automatic injection systems: for paraffin, silicone, CAF, Bopsil, etc.;
- ✓ Operations duration defined by the end user;
- ✓ Transversal conveyor for automatic corks unloading;
- ✓ Tumbler rotation with speed variation.



Dimensions

H 1520 mm x D 787 mm x W 1547 mm



www.azevedosindustria.com

Lourosa, Portugal

+351 22 747 15 70 (Call cost for national fixed network) ▪ geral@azevedosindustria.com

